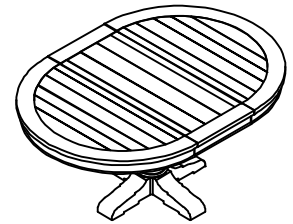


Warning :

- Be sure to check all packing material carefully for small parts, which may have come loose inside the carton during shipment.
- To prevent possible scratches and damage, this furniture **MUST BE ASSEMBLED BY TWO PEOPLE** on a soft surface such as a blanket or carpet.



Important Use Information: We recommend using coasters, placemats and trivets when placing hot or cold containers on this item. It is also recommended to quickly cleanup any spills to minimize exposure to moisture. Doing so will prolong the life and look of the item for many years.

21251
Round Dining Table-Top
#21252
Round Dining Table Pedestal
#21253
Round Dining Table Base

Components packed with # 21251 Table Top

<p>Table Top</p> <p>(A) 1 pc.</p>	<p>Table Leaf</p> <p>(B) 1 pc.</p>	<p>Lower Bridge Panel</p> <p>(C) 1 pc.</p>
-----------------------------------	------------------------------------	--

Components and Hardware packed with # 21252 Table Pedestal

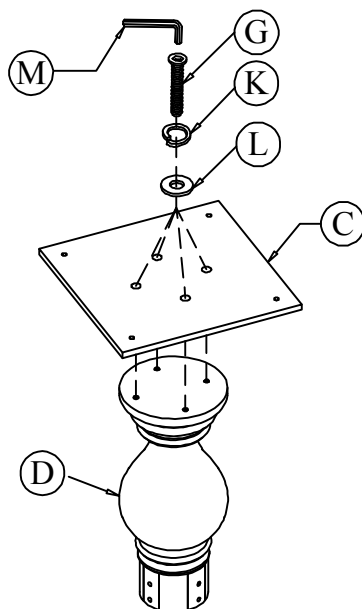
<p>Pedestal</p> <p>(D) 1 pc.</p>	<p>Allen Head Bolt 5/16"-18 x 1-3/4"</p> <p>(G) 4 pcs.</p>	<p>Allen Head Bolt 5/16"-18 x 2-1/2"</p> <p>(H) 8 pcs.</p>	<p>Allen Head Bolt 5/16"-18 x 1-1/2"</p> <p>(I) 4 pcs.</p>	<p>Allen Head Bolt 5/16"-18 x 1"</p> <p>(J) 8 pcs.</p>	<p>Spring Washer 5/16"</p> <p>(K) 24 pcs.</p>	<p>Flat Washer 5/16" x 19 x 2mm</p> <p>(L) 24 pcs.</p>
----------------------------------	--	--	--	--	---	--

<p>Allen Key 5mm</p> <p>(M) 1 pc.</p>

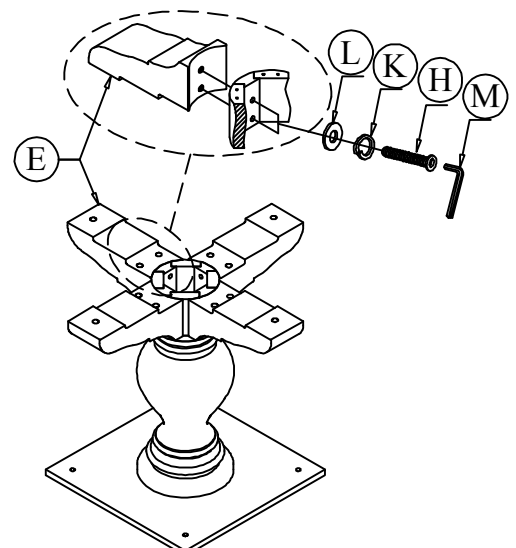
Components packed with the # 21253 Table Base

<p>Base Feet</p> <p>(E) 4 pcs.</p>	<p>Metal Plate</p> <p>(F) 1 pc.</p>
------------------------------------	-------------------------------------

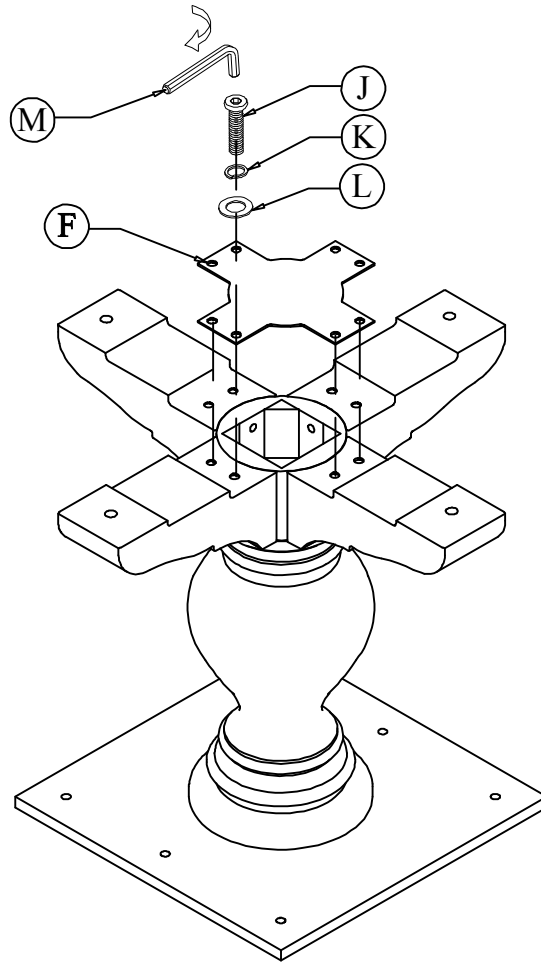
Step 1: G x 4pcs



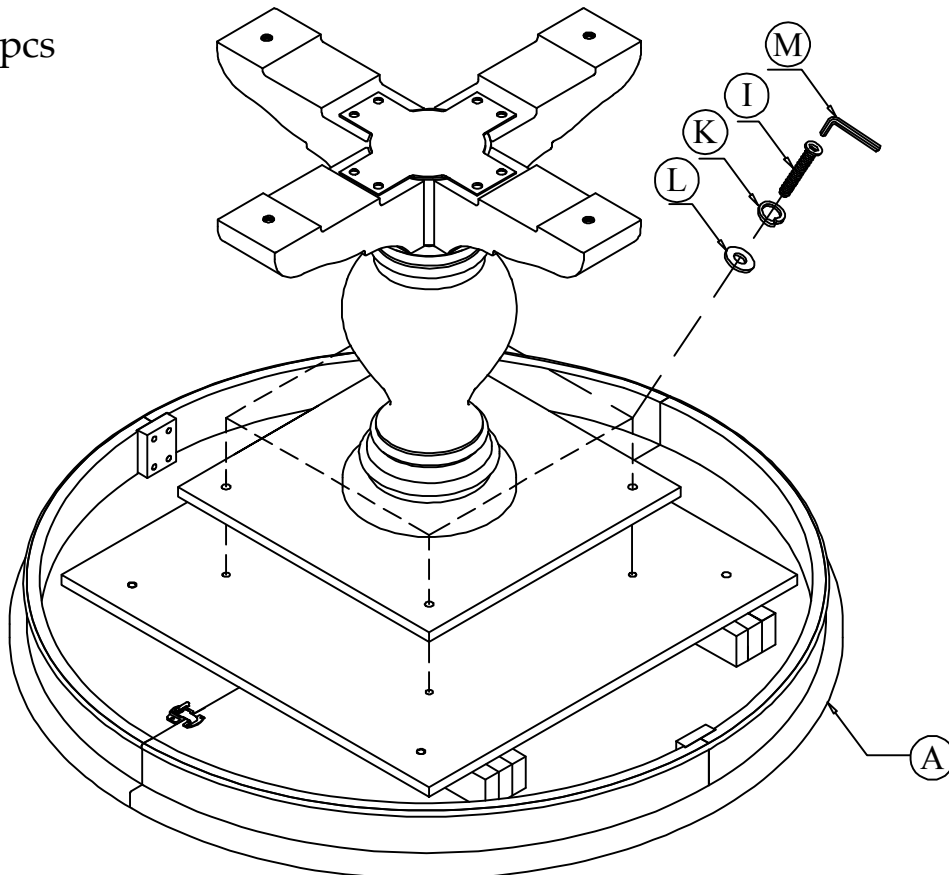
Step 2: H x 8pcs



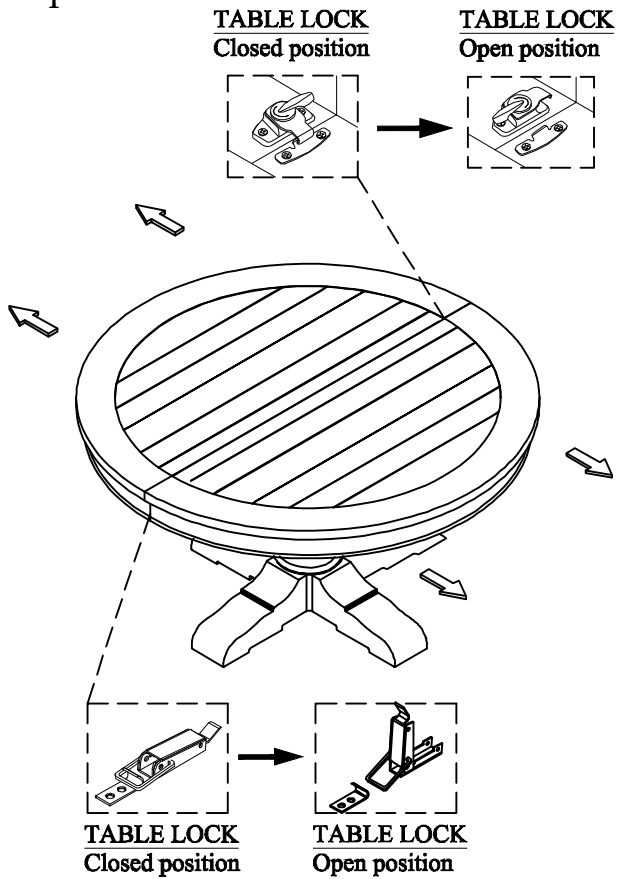
Step 3: J x 8pcs



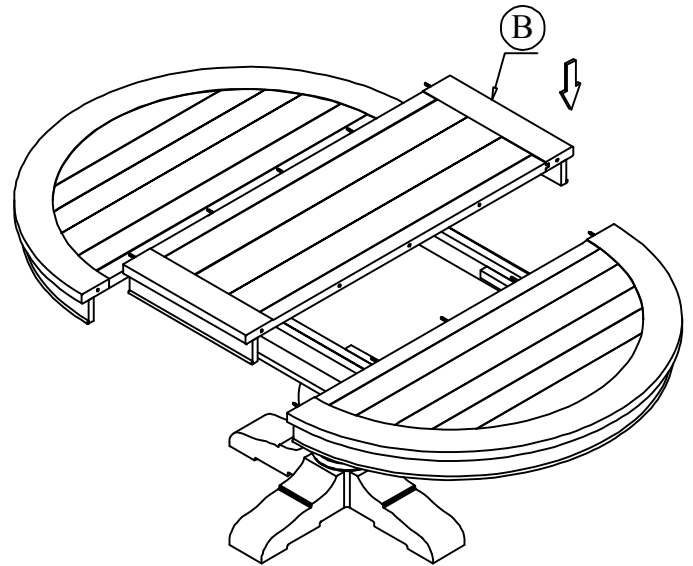
Step 4: I x 4pcs



Step 5



Step 6



Step 7

